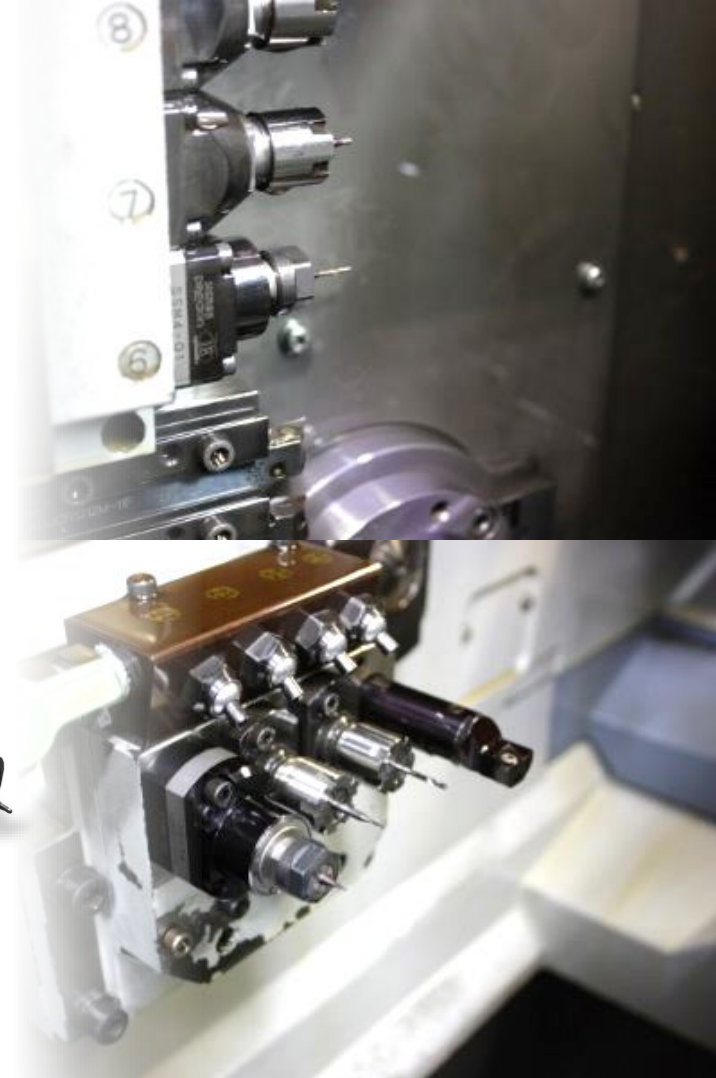


star

IB·SPINDLE
SPEEDER SPINDLE



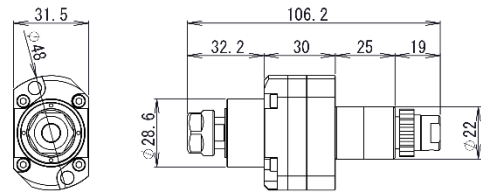
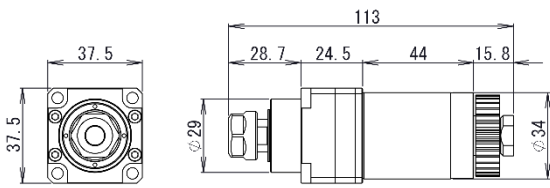
Compatible with SV , SR , SW , SB machines!



SSM4-01



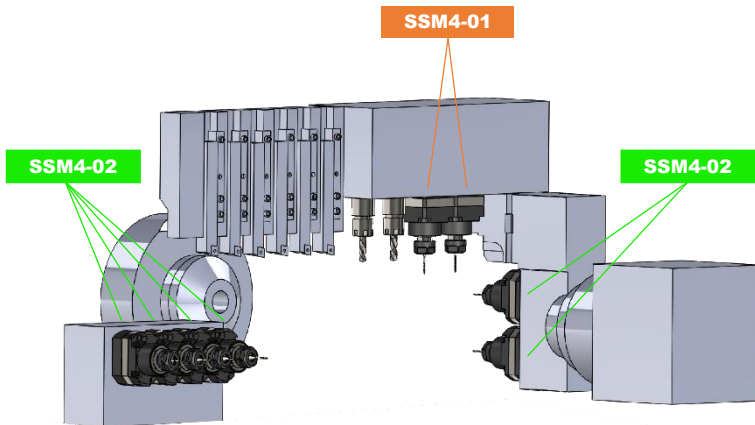
SSM4-02



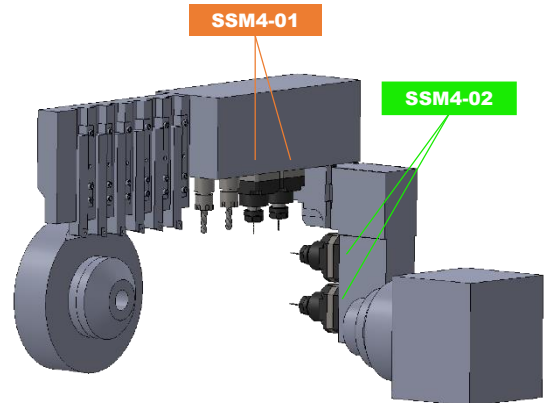
Type	SSM4-01
machine	SV12 / SV16 / SV20 / SV38R SR16 / SR20 / SR20J / SR20RIV SR32JTypeN SB12R / SB16R / SB20R SW20

Type	SSM4-02
machine	SB12R / SB16R / SB20R SR10J / SR20J / SR16 / 20R SR20R II / SR20R III / SR20RIVA/B SR32J / SR32JTypeN / SR38TypeA/B / SW12R II / ECAS12/20

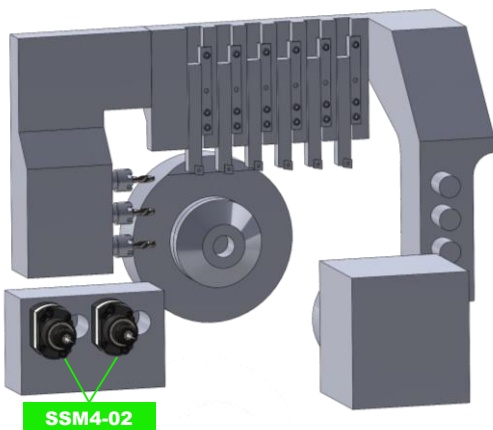
Layout



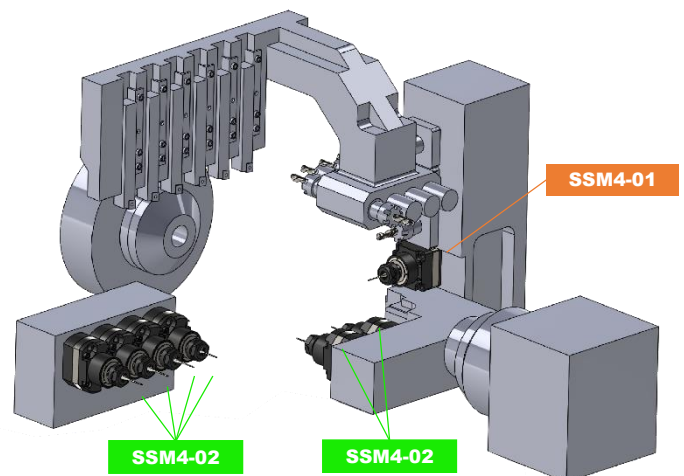
• SB-12R / 16R / 20R type E/N/G



• SB-16R / 20R type C

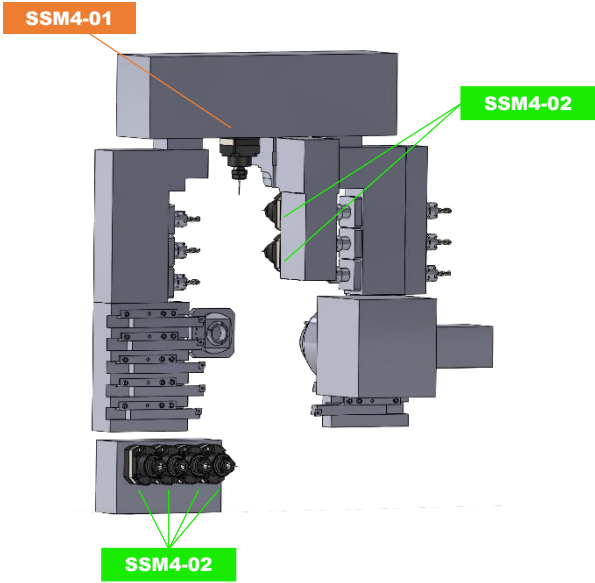


• SR-10J type C

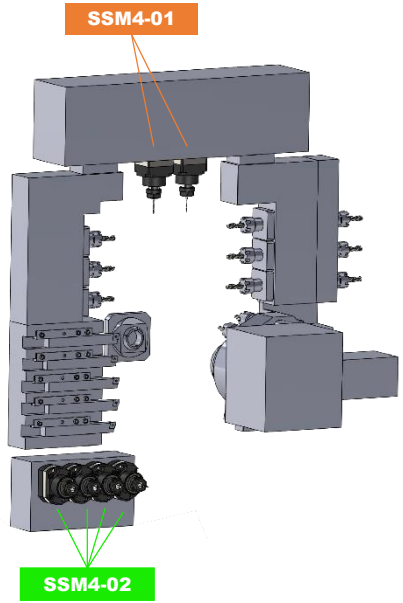


• SR-20J type C/N

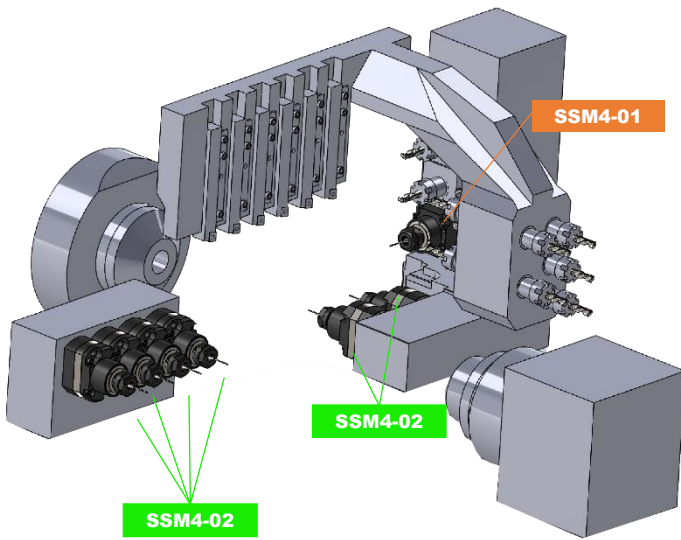
*available on T2200 and T2400
 *T2100 and T2300 is not available with SSM4-02 on T2200
 *T2300 is not available with SSM4-02 on T2400



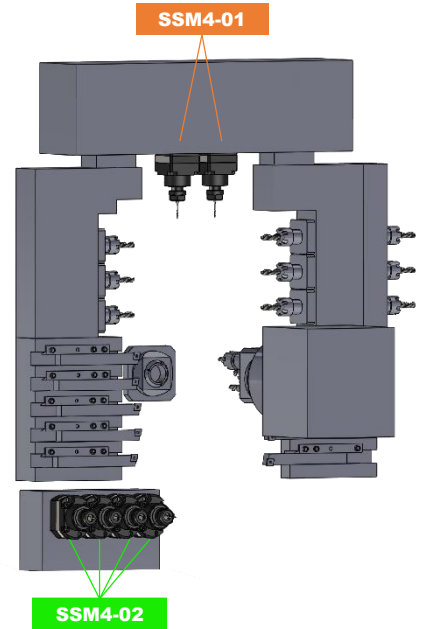
• SR-20RIV type A/B



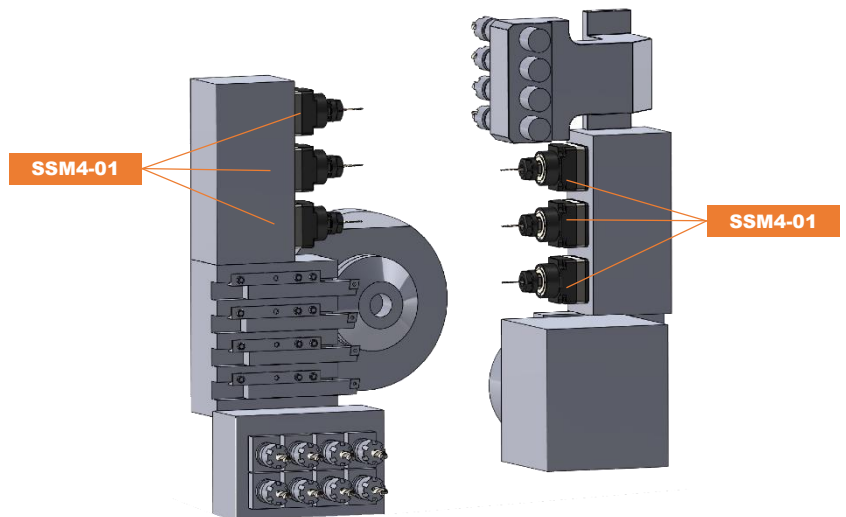
• SR-38 type A/B



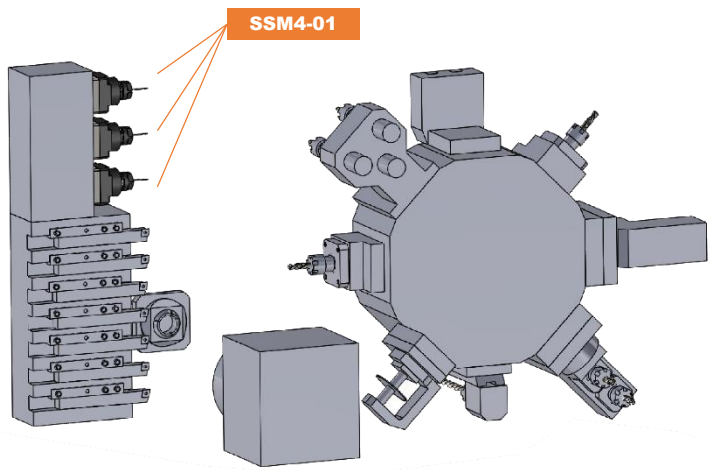
• SR-32J / 32J type N



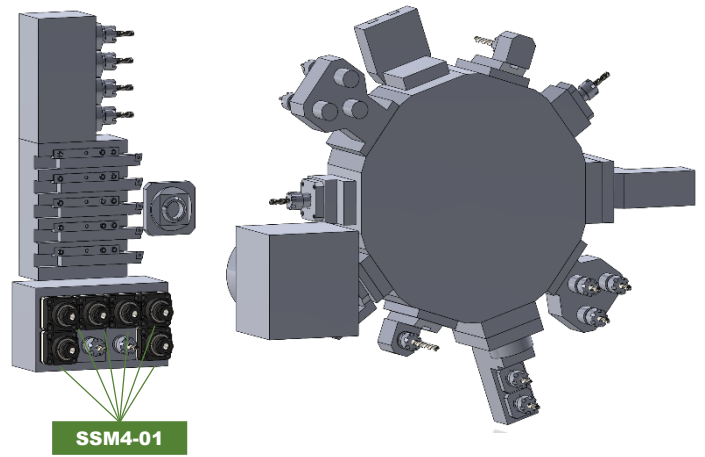
• SW-12R II



• SW-20



• SV-12 / SV-20 / SV-32 / SV-32J II



• SV-38R